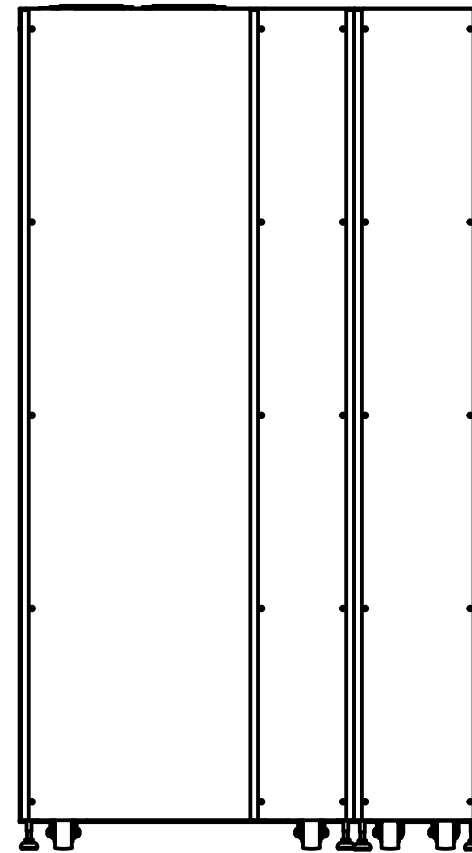


Front




Side



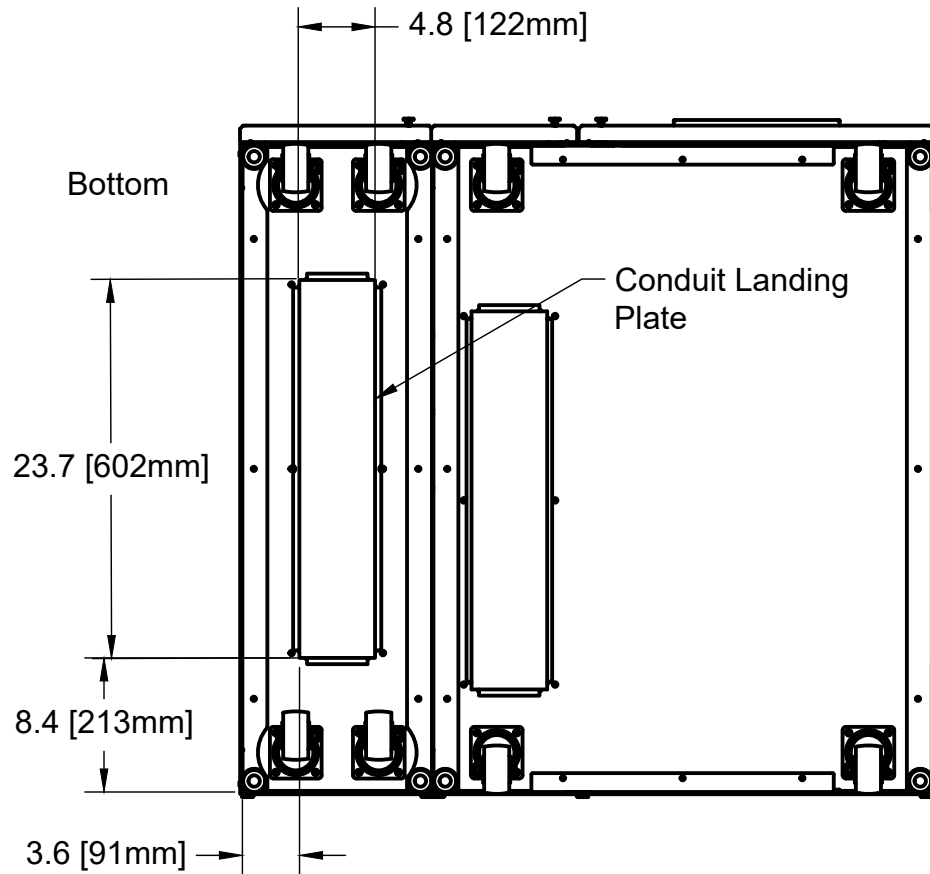
Rear



	PROJECT X90-5S			
	TITLE X90-5S with X90-SMB350 Outline			
APPROVED	SIZE	CODE	DWG NO	REV
CHECKED	A		X90-5S-wSMB350-OTL-480-480	1
DRAWN JB	2/22/2023	SCALE 1:18	WEIGHT	SHEET 1/3

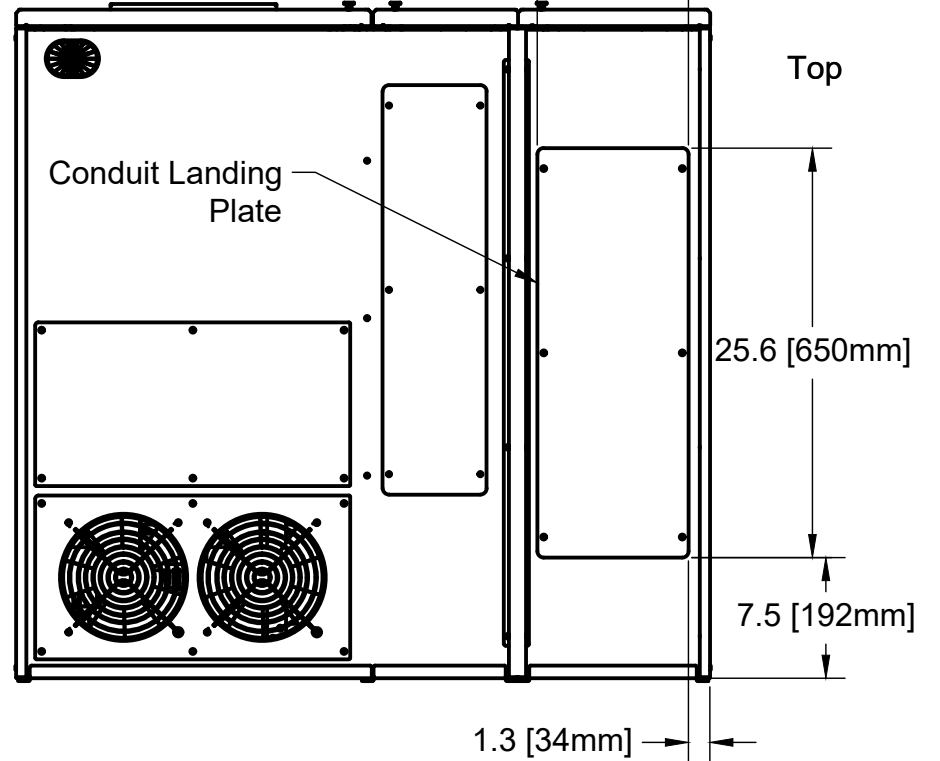


Front



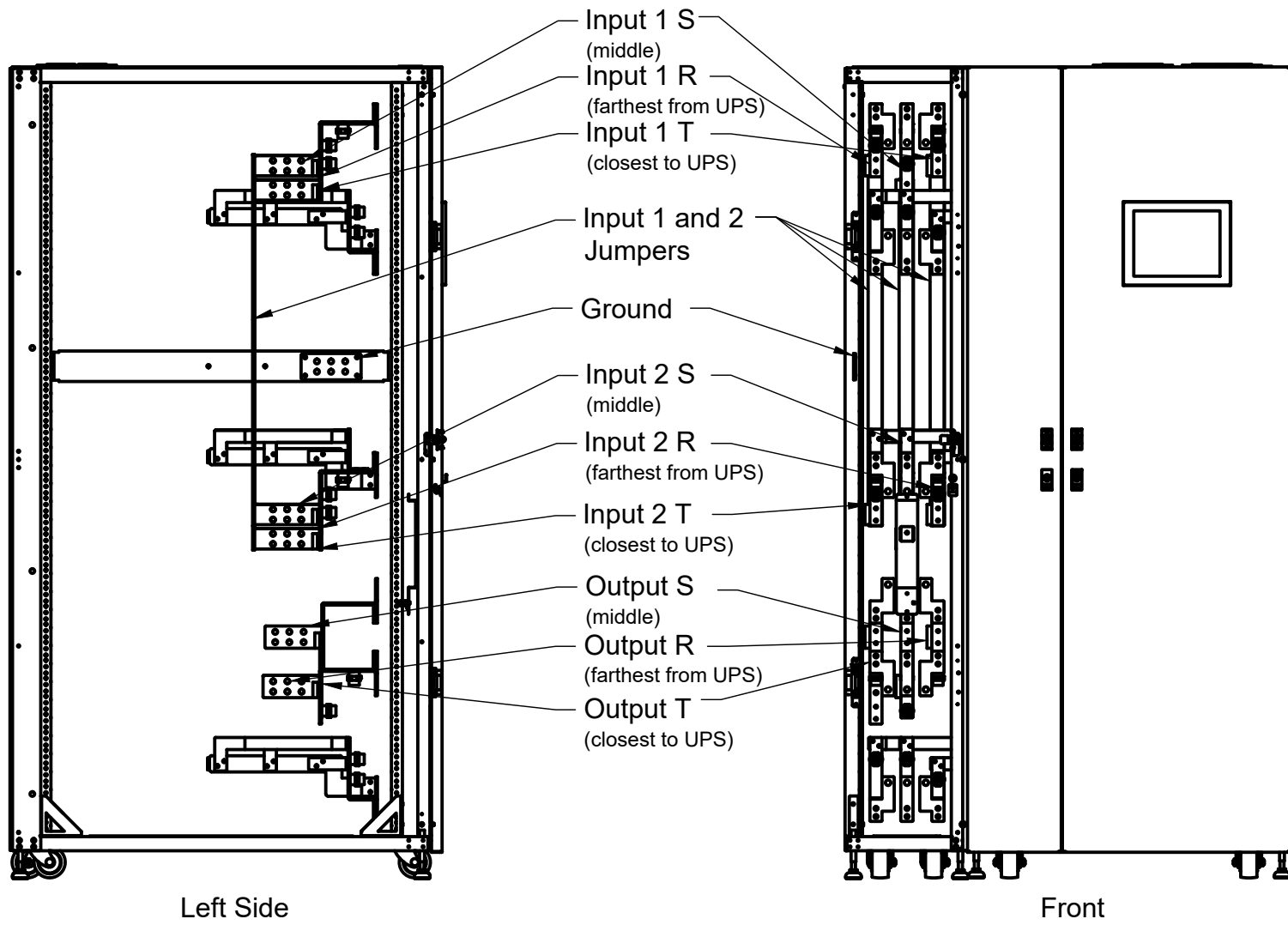
9.4 [240mm]

Top



Rear

	PROJECT			REV	
	X90-5S				
TITLE				1	
X90-5S with X90-SMB350 Outline					
APPROVED	SIZE	CODE	DWG NO	X90-5S-wSMB350-OTL-480-480	
CHECKED	A				
DRAWN	JB	2/22/2023	SCALE 1:12	WEIGHT	SHEET 2/3



Notes:
 1) Breakers not shown.
 2) Input 1 and 2 jumpers in UPS cabinet must be removed when installing SMB350.

	PROJECT X90-5S			REV 1
	TITLE X90-5S with X90-SMB350 Outline			
APPROVED	SIZE	CODE	DWG NO	1
CHECKED	A		X90-5S-wSMB350-OTL-480-480	
DRAWN	JB	2/22/2023	SCALE 1:16	WEIGHT
			SHEET 3/3	