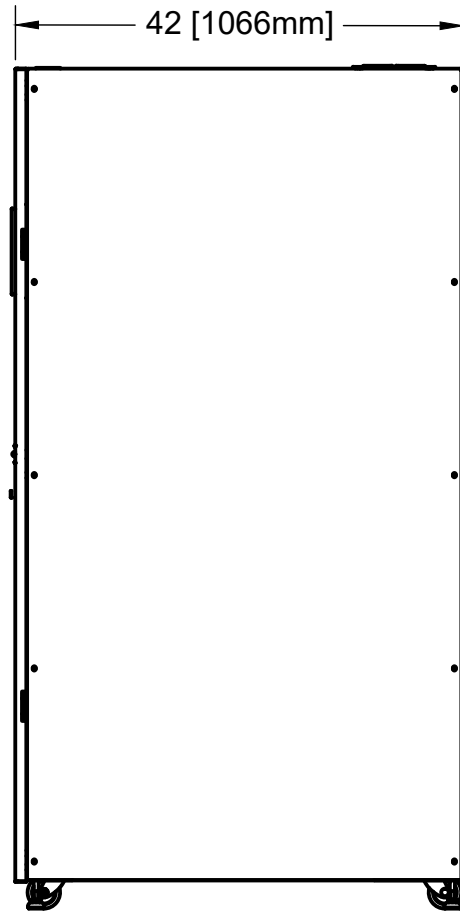
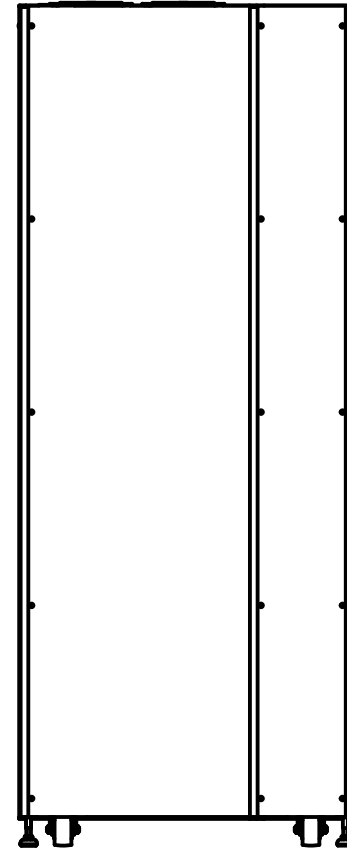


Front



Side



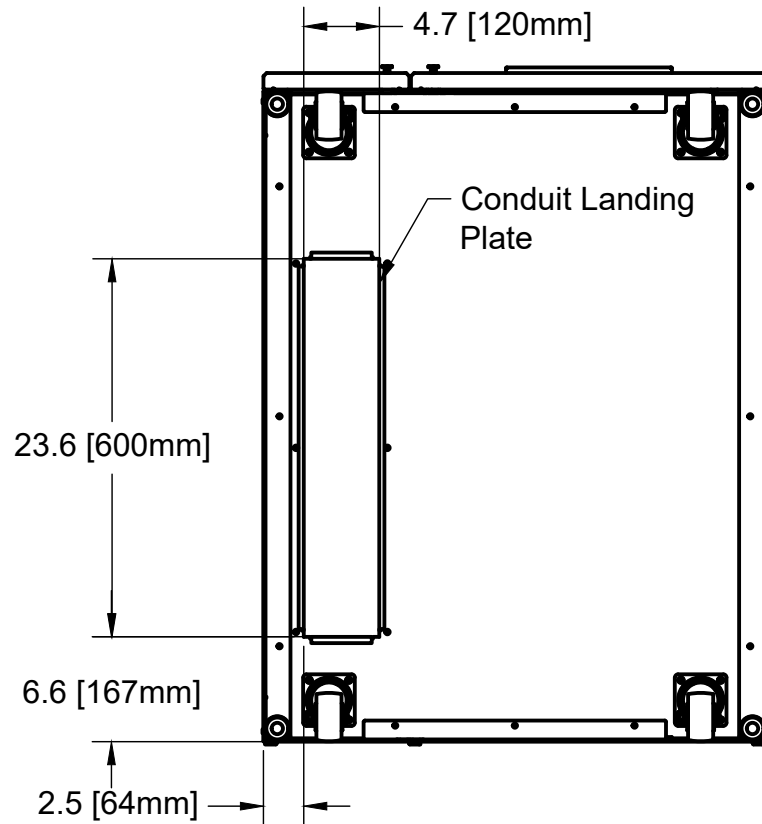
Rear

	PROJECT X90-5S			
	TITLE X90-5S Outline Drawing			
APPROVED	SIZE	CODE	DWG NO	REV
CHECKED	A		X90-5S-OTL-480-480	0
DRAWN JB	2/21/2023	SCALE 1:18	WEIGHT	SHEET 1/3

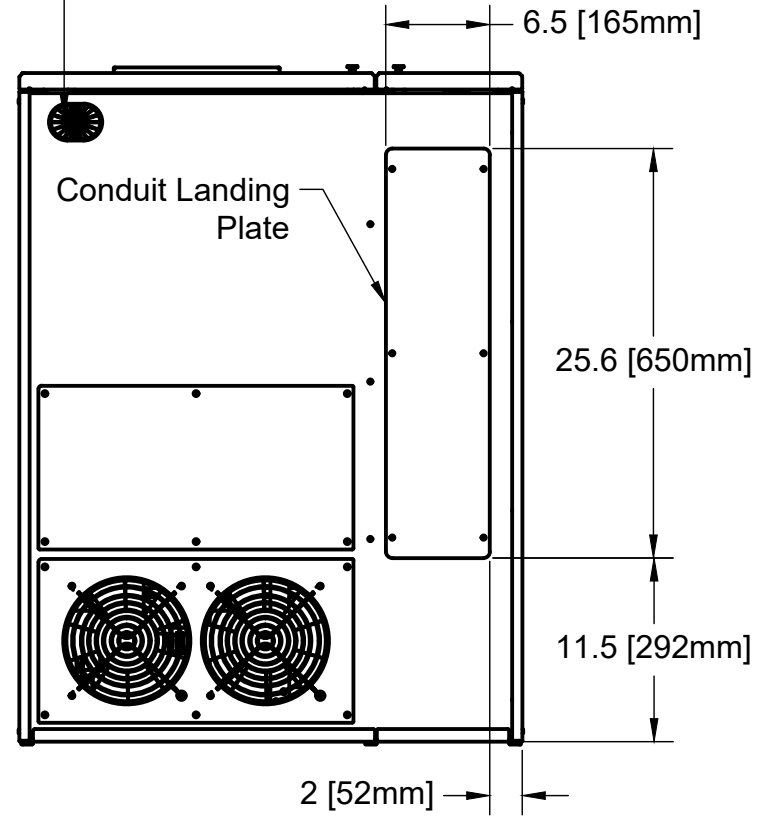


Front

Communication
Cable Entry/Exit



Bottom



Top

Rear

X-TREME
Power Conversion®

PROJECT

X90-5S

TITLE

X90-5S Outline Drawing

APPROVED

CHECKED

DRAWN

JB

2/21/2023

SIZE

A

CODE

DWG NO

X90-5S-OTL-480-480

REV

0

SCALE 1:12

WEIGHT

SHEET 2/3



