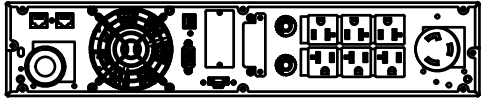
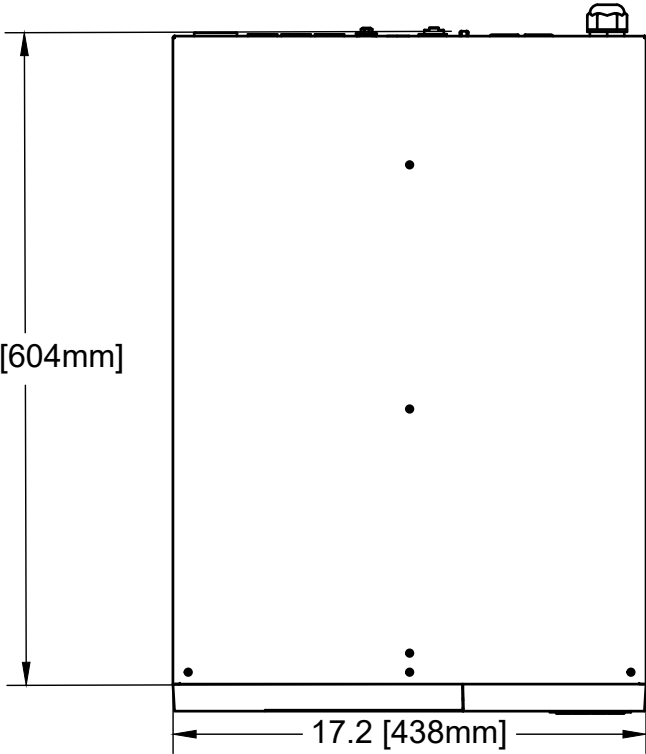


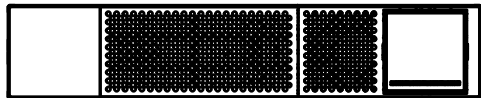
Rear



23.8 [604mm]



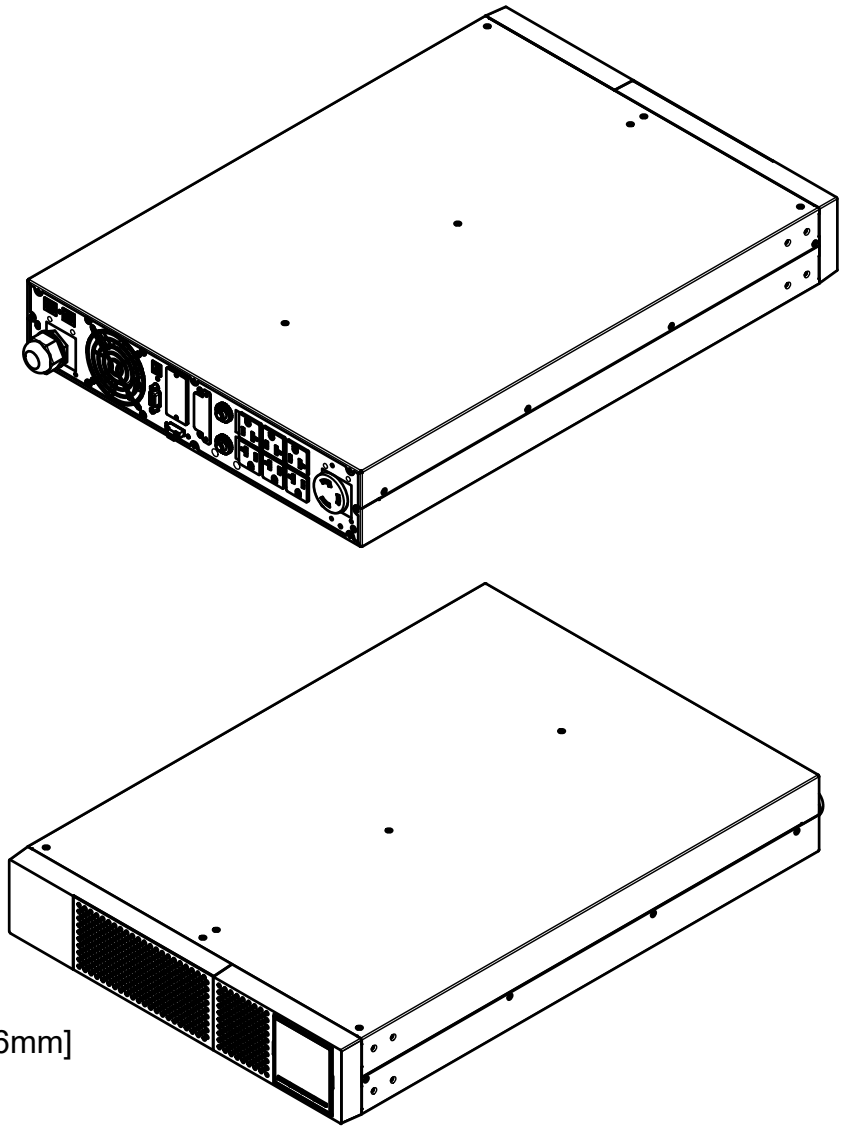
17.2 [438mm]



Front



3.4 [86mm]



X-TREME
Power Conversion®

PROJECT
P91

TITLE
P91 3kVA Outline

APPROVED

CHECKED

DRAWN JB

11/8/2021

SIZE

A

CODE

DWG NO

P91-3.0kVA-OTL

REV

0

SCALE 1:7

WEIGHT

SHEET 1/1