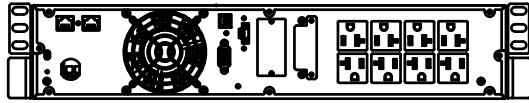


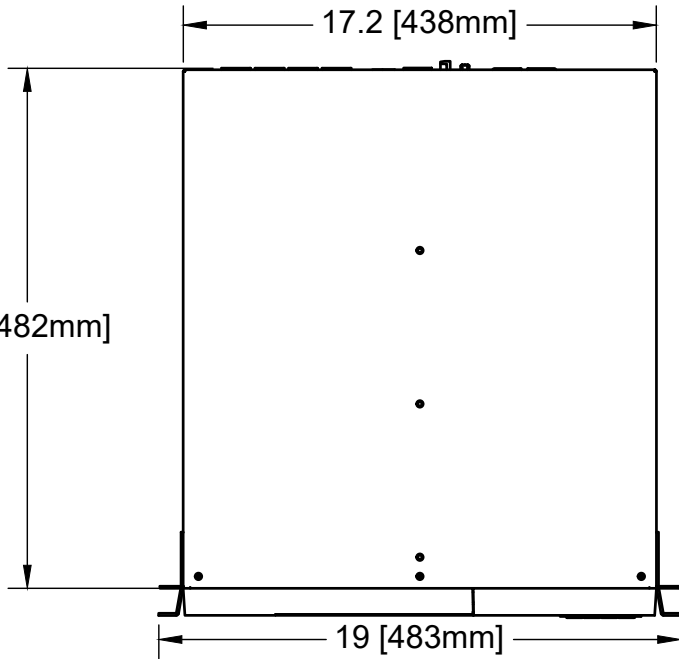


Rear

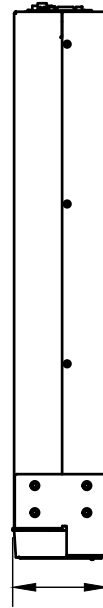


17.2 [438mm]

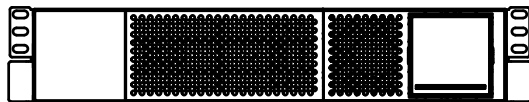
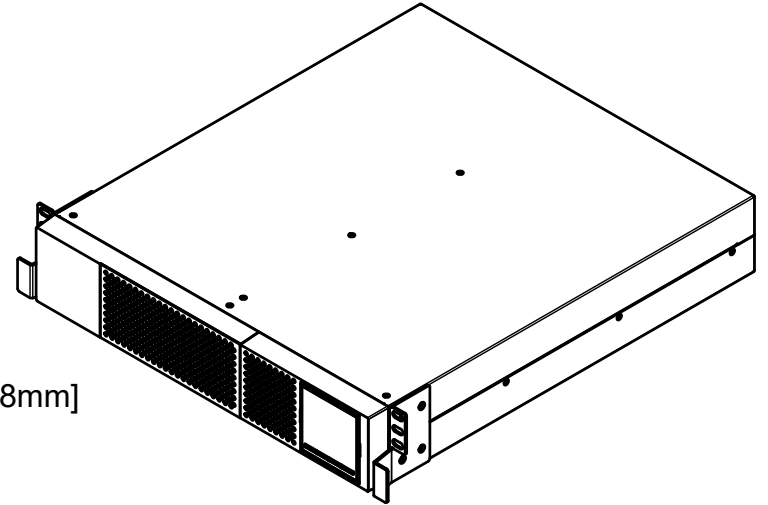
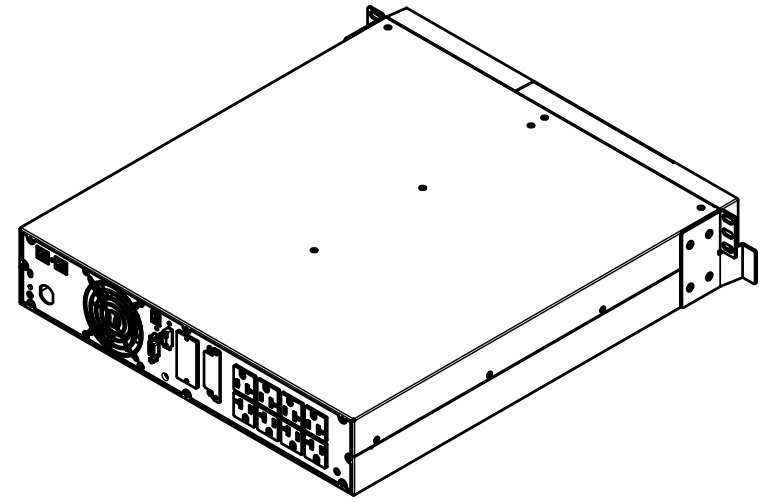
19 [482mm]



19 [483mm]



3.5 [88mm]



Front

**XTREME**  
Power Conversion®

PROJECT

P91

TITLE

P91 2kVA Outline

APPROVED

CHECKED

DRAWN

11/8/2021

SIZE

A

CODE

DWG NO

P91-2k-OTL

REV

0

SCALE 1:7

WEIGHT

SHEET 1/1

