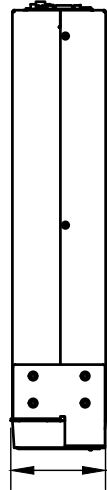
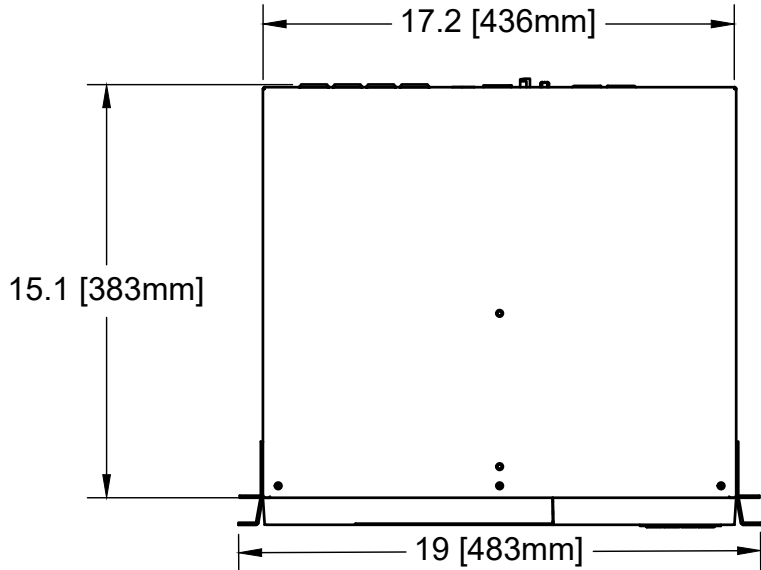
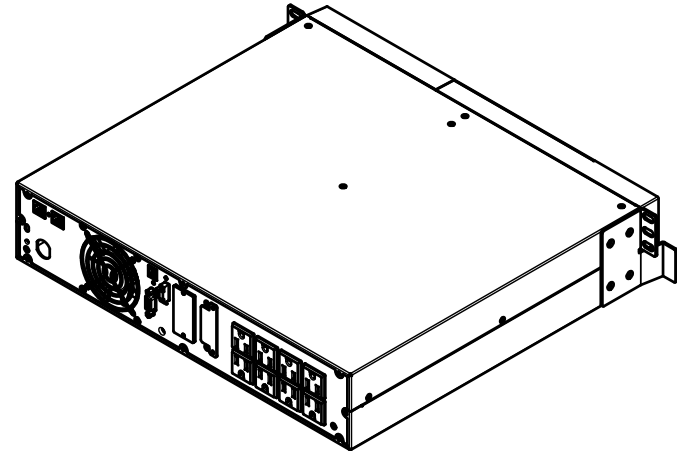
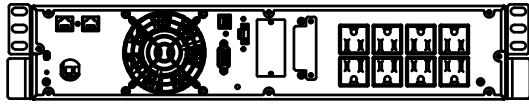
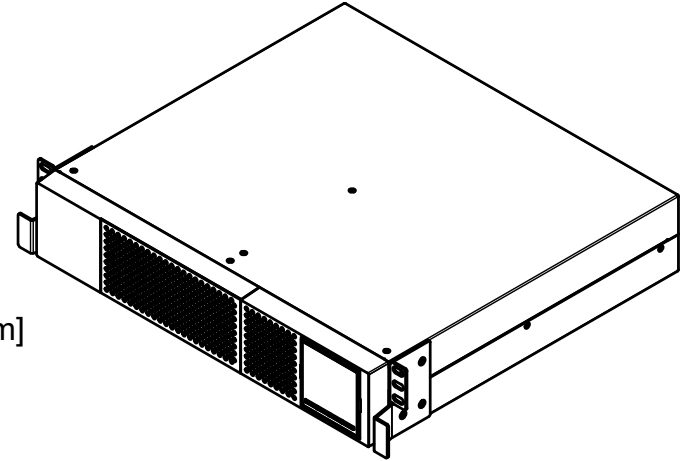


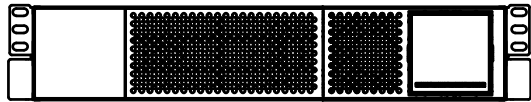
Rear



3.5 [88mm]



Front



XTREME
Power Conversion®

PROJECT

P91

TITLE

P91 1.5kVA Outline

APPROVED

CHECKED

DRAWN

JB

11/8/2021

SIZE

A

CODE

DWG NO

P91-1.5kVA-OTL

REV

0

SCALE 1:7

WEIGHT

SHEET 1/1