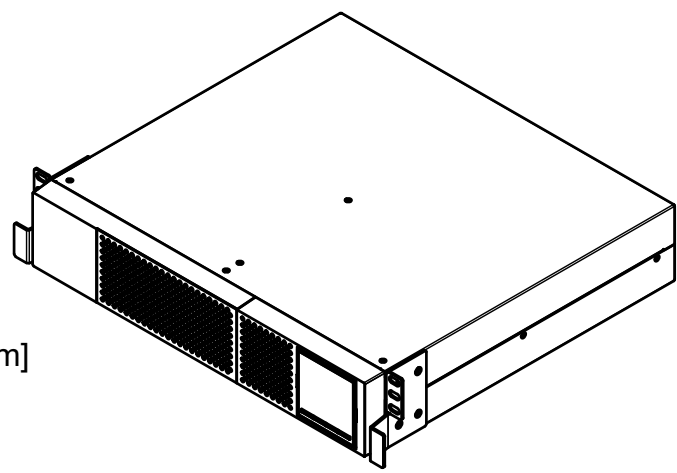
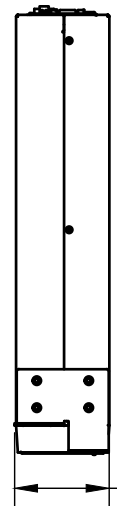
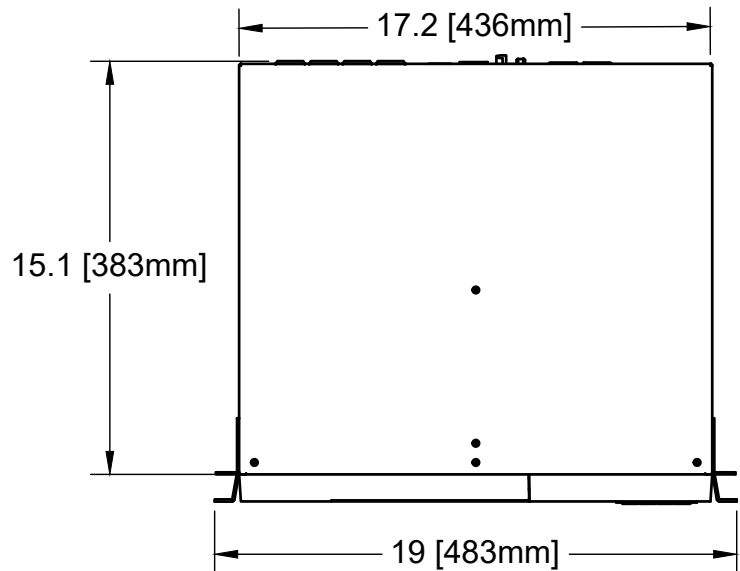
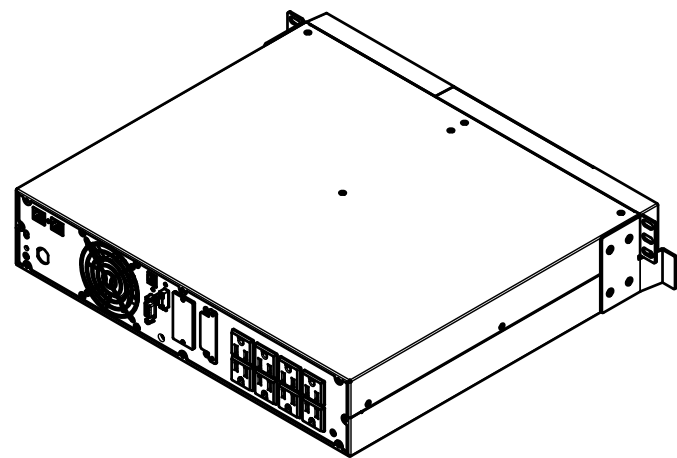
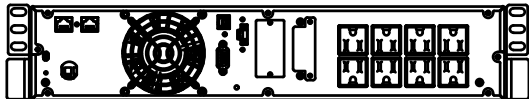
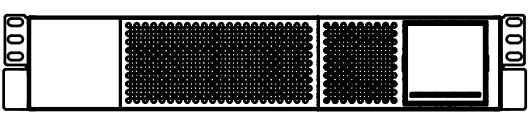




Rear



Front



	PROJECT P91			
	TITLE P91 1kVA Outline			
APPROVED	SIZE	CODE	DWG NO	REV
CHECKED	A		P91-1kVA-OTL	0
DRAWN JB	11/8/2021	SCALE 1:7	WEIGHT	SHEET 1/1

