

Front

Side

Rear

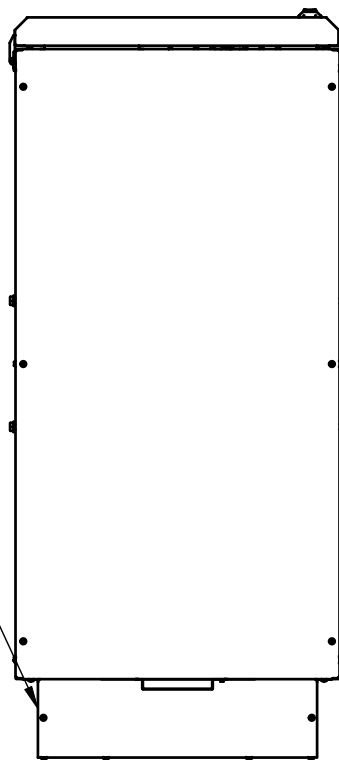
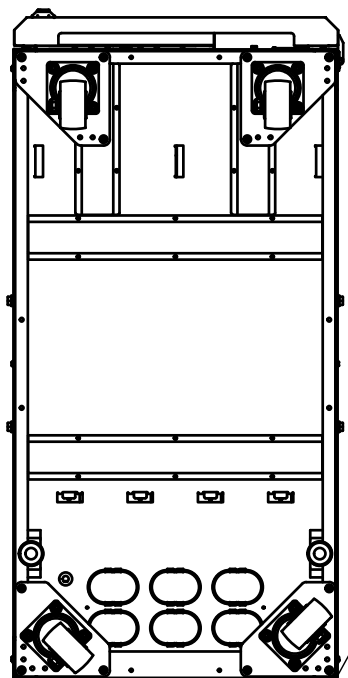
		PROJECT M90U		
		TITLE M90U Outline Drawing		
APPROVED	SIZE	CODE	DWG NO	REV
CHECKED	A		M90U-OTL-208-208	0
DRAWN	JB	10/14/2021	SCALE 1:12	WEIGHT
			SHEET 1/3	



Front

Bottom

Top



Conduit Landing Box (See Pgs 1 and 3 for location)

4.9 [124mm]

17.4 [443mm]

Rear

X-TREME

PROJECT
M90U

TITLE
M90U Outline Drawing

APPROVED

CHECKED

DRAWN JB

10/14/2021

SIZE

A

CODE

DWG NO

M90U-OTL-208-208

REV

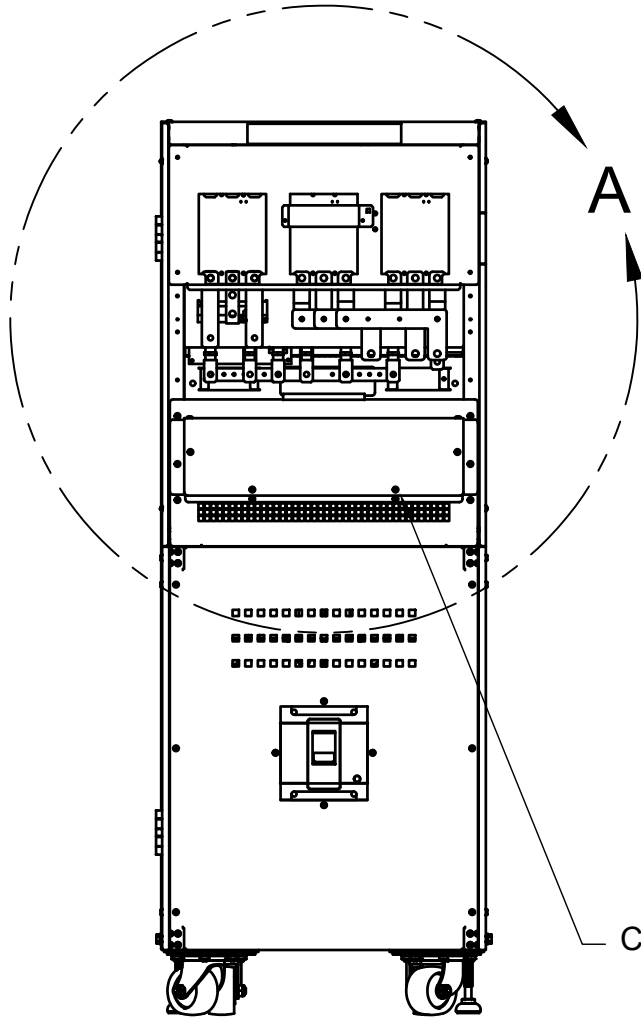
0

SCALE 1:12

WEIGHT

SHEET 2/3





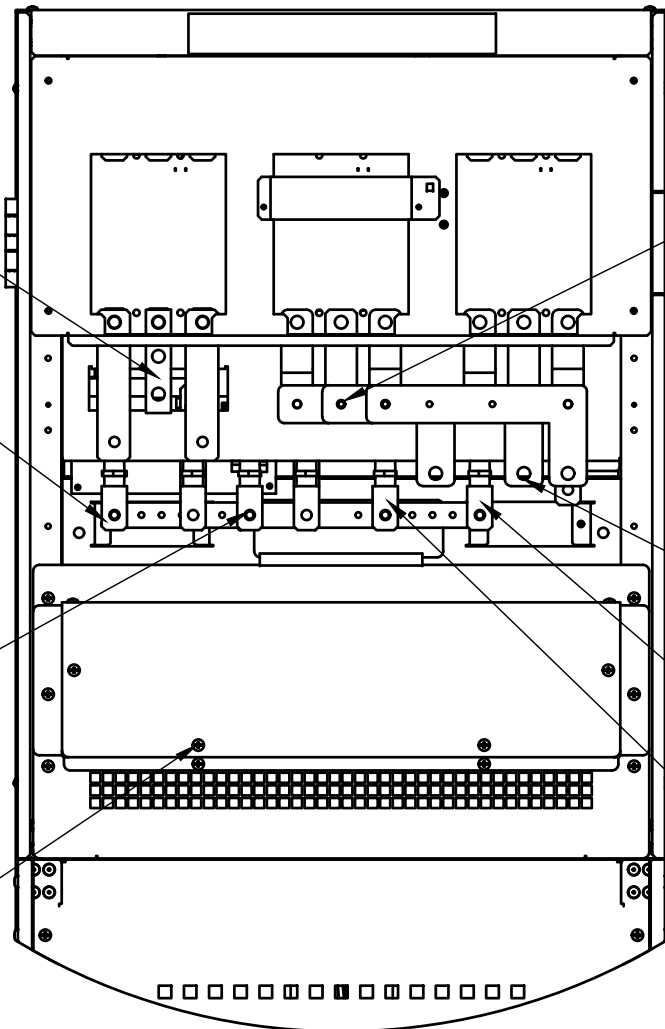
A

Output
R S T

Output N

Battery
+ N -

Conduit Landing
Box



Bypass Input
R S T

Main Input
R S T

Mains Input N

Bypass Input N

		PROJECT M90U			
		TITLE M90U Outline Drawing			
APPROVED	SIZE	CODE	DWG NO	REV	
CHECKED	A		M90U-OTL-208-208	0	
DRAWN	JB	10/14/2021	SCALE 1:12	WEIGHT	
			SHEET 3/3		