


Front

Side

Rear

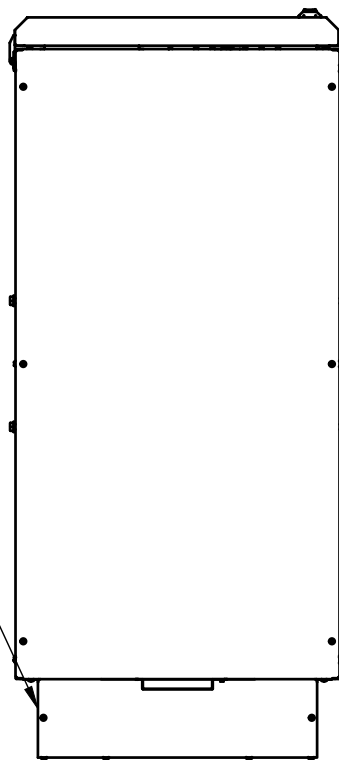
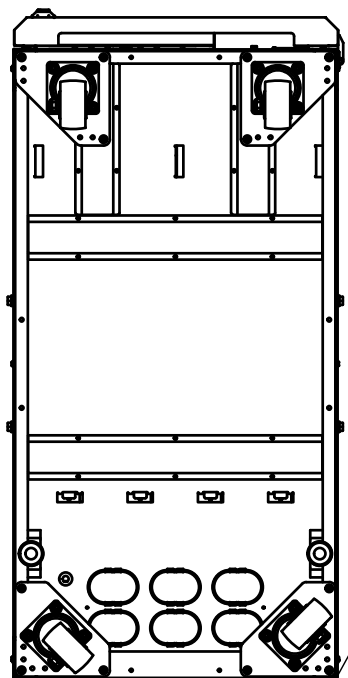
		PROJECT M90			
		TITLE M90 Outline Drawing			
APPROVED		SIZE	CODE	DWG NO	REV
CHECKED		A		M90-OTL-208-208	0
DRAWN	JB	5/25/2021	SCALE 1:12	WEIGHT	SHEET 1/3



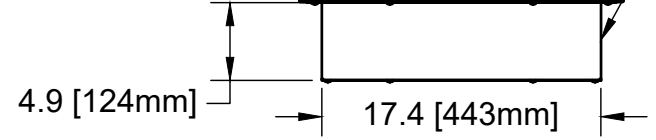
Front

Bottom

Top



Conduit Landing Box (See Pgs 1 and 3 for location)



Rear

**X-TREME**

PROJECT  
M90

TITLE  
M90 Outline Drawing

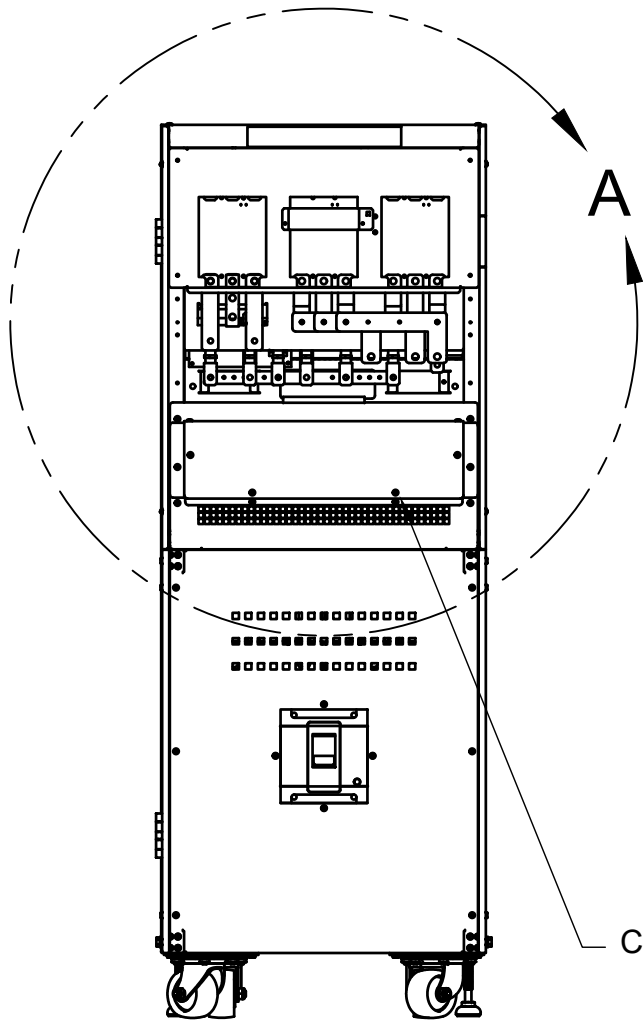
APPROVED  
CHECKED  
DRAWN JB

SIZE CODE DWG NO REV  
A M90-OTL-208-208 0

5/25/2021

SCALE 1:12 WEIGHT SHEET 2/3



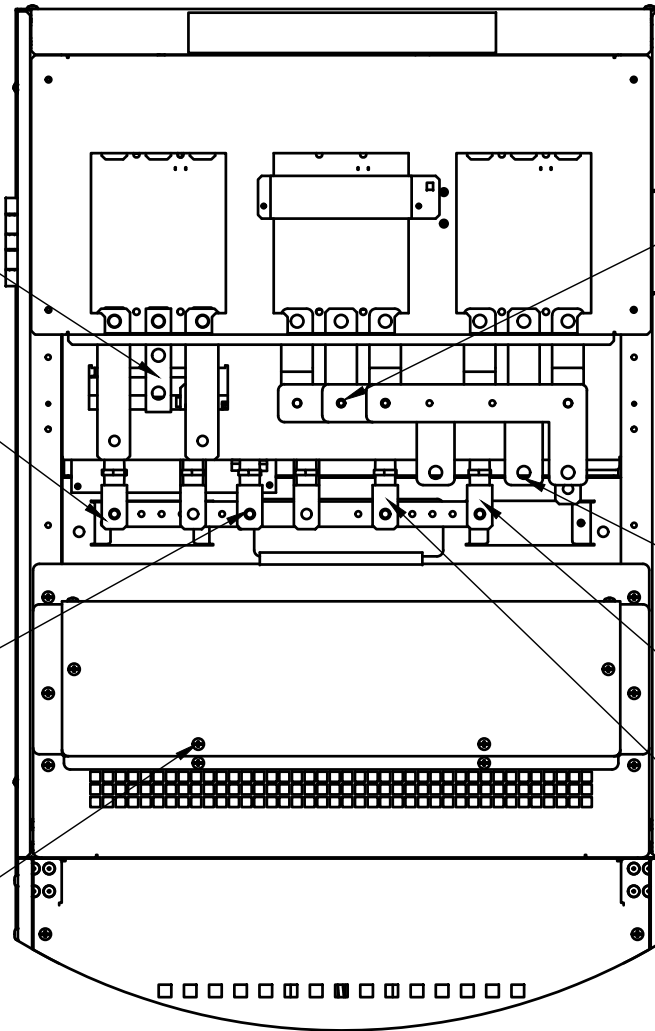


Output  
R S T

Output N

Battery  
+ N -

Conduit Landing  
Box



Bypass Input  
R S T

Main Input  
R S T

Mains Input N

Bypass Input N

**X-TREME**

PROJECT  
M90

TITLE  
M90 Outline Drawing

APPROVED

CHECKED

DRAWN JB

5/25/2021

SIZE

A

CODE

DWG NO

M90-OTL-208-208

REV

0

SCALE 1:12

WEIGHT

SHEET 3/3