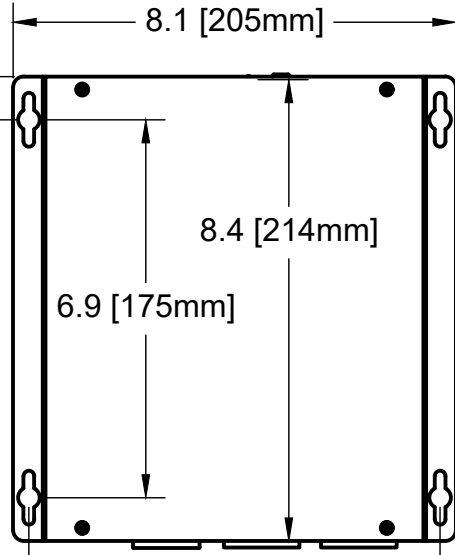


.8 [20mm]

6.9 [175mm]

8.1 [205mm]



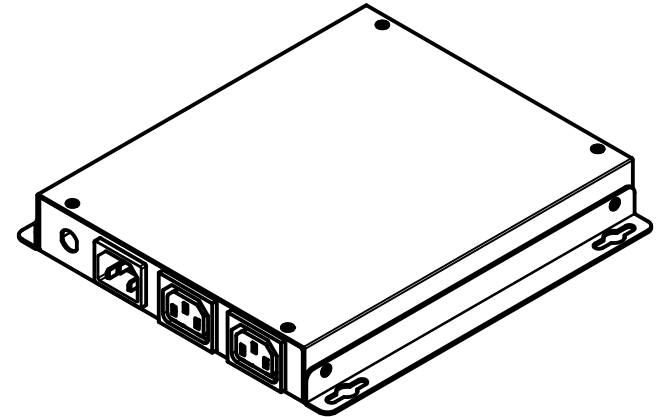
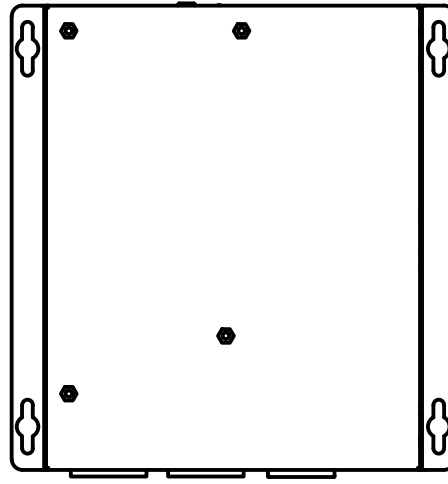
8.4 [214mm]

6.9 [175mm]

7.5 [190mm]



1.3 [32mm]



XTREME
Power Conversion®

PROJECT
J60i

TITLE
J60i-350 Outline Drawing

APPROVED

CHECKED

DRAWN JB

2/19/2024

SIZE

A

CODE

DWG NO

J60i-350-OTL

REV

0

SCALE 1:3.5

WEIGHT

SHEET 1/1