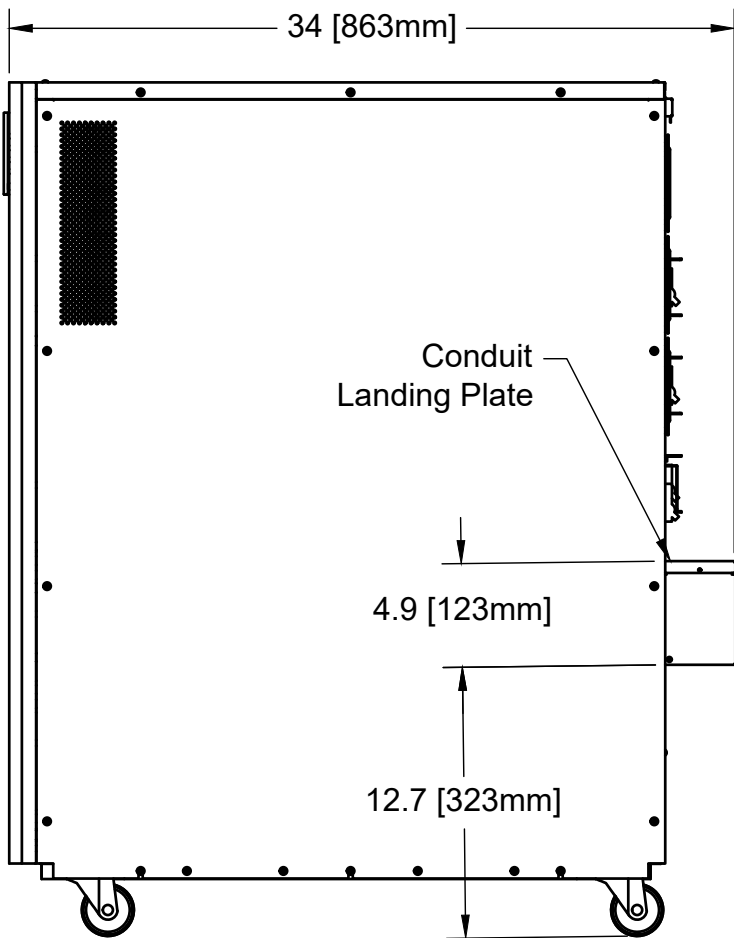
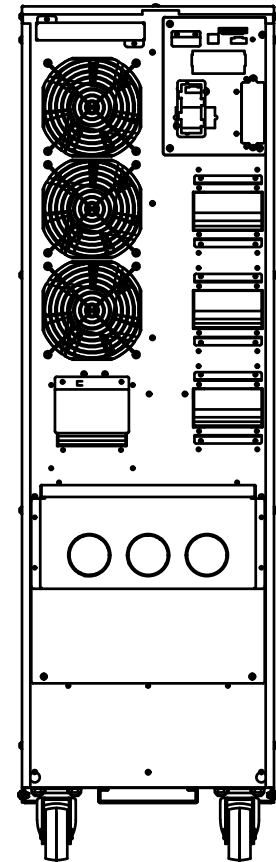


Front



Side



Back

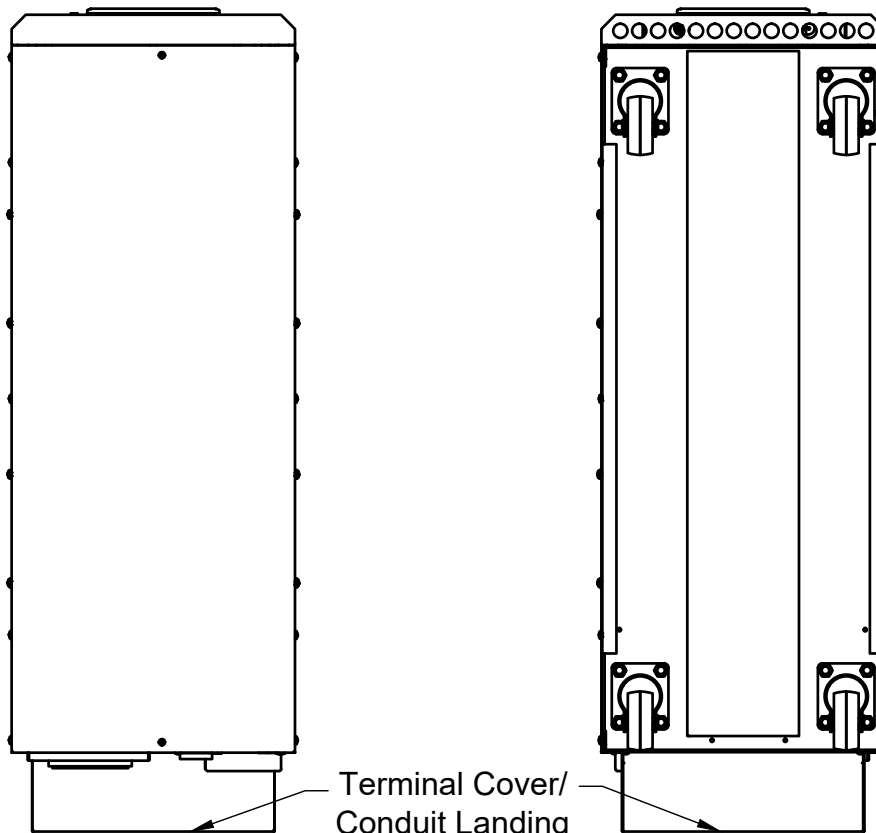
		PROJECT			E91 20kVA
		TITLE			
APPROVED		SIZE	CODE	DWG NO	REV
CHECKED		A		E91-OTL-20kVA-208-208	0
DRAWN	JB	4/18/2022	SCALE 1:9	WEIGHT	SHEET 1/3



Front

Top

Bottom



Terminal Cover/
Conduit Landing

Back

X-TREME
Power Conversion®

PROJECT

E91 20kVA

TITLE

E91 20kVA Outline Drawing

APPROVED

CHECKED

DRAWN

JB

4/18/2022

SIZE

A

CODE

DWG NO

E91-OTL-20kVA-208-208

REV

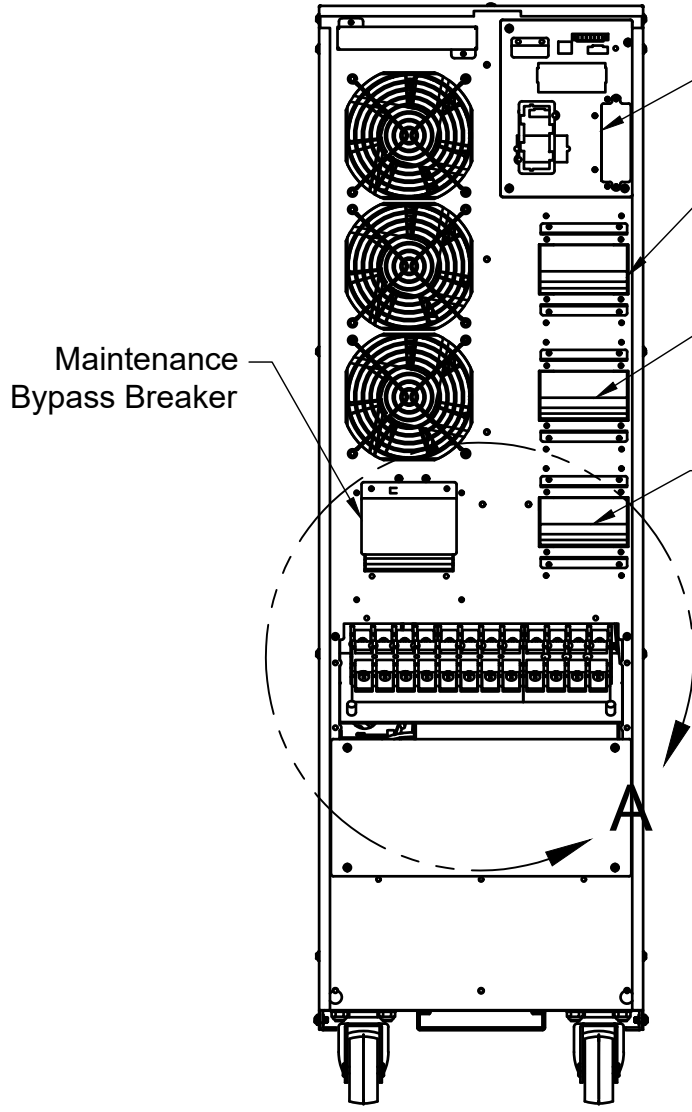
0

SCALE 1:8

WEIGHT

SHEET 2/3





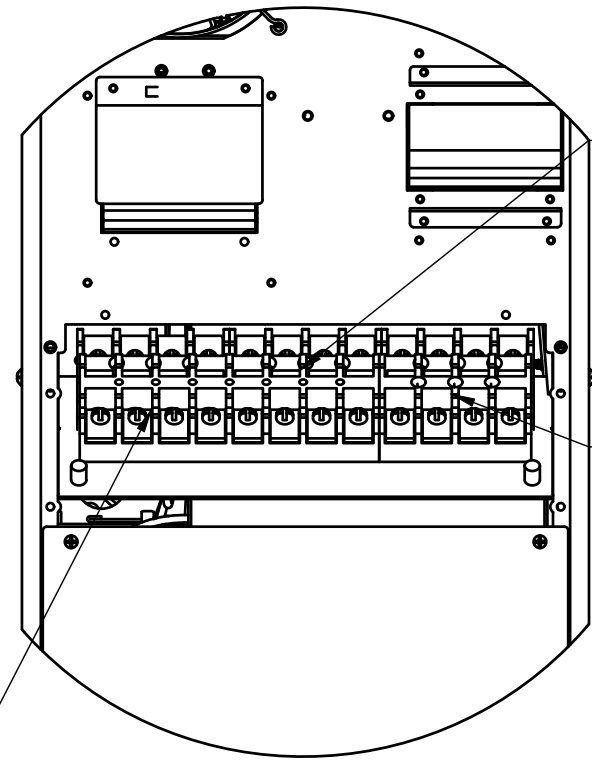
External Battery Connection

Main Input Breaker

Bypass Input Breaker

Output Breaker

Maintenance Bypass Breaker



Input Terminals R, S, T, N

Bypass Terminals R, S, T, N

Output Terminals R, S, T, N

Rear Terminals

Note: Input and Bypass terminals come jumpered from factory. Remove jumpers for dula input systems.

		PROJECT			E91 20kVA
		TITLE			E91 20kVA Outline Drawing
APPROVED	SIZE	CODE	DWG NO	REV	
CHECKED	A		E91-OTL-20kVA-208-208	0	
DRAWN JB	4/18/2022	SCALE 1:7	WEIGHT	SHEET 3/3	