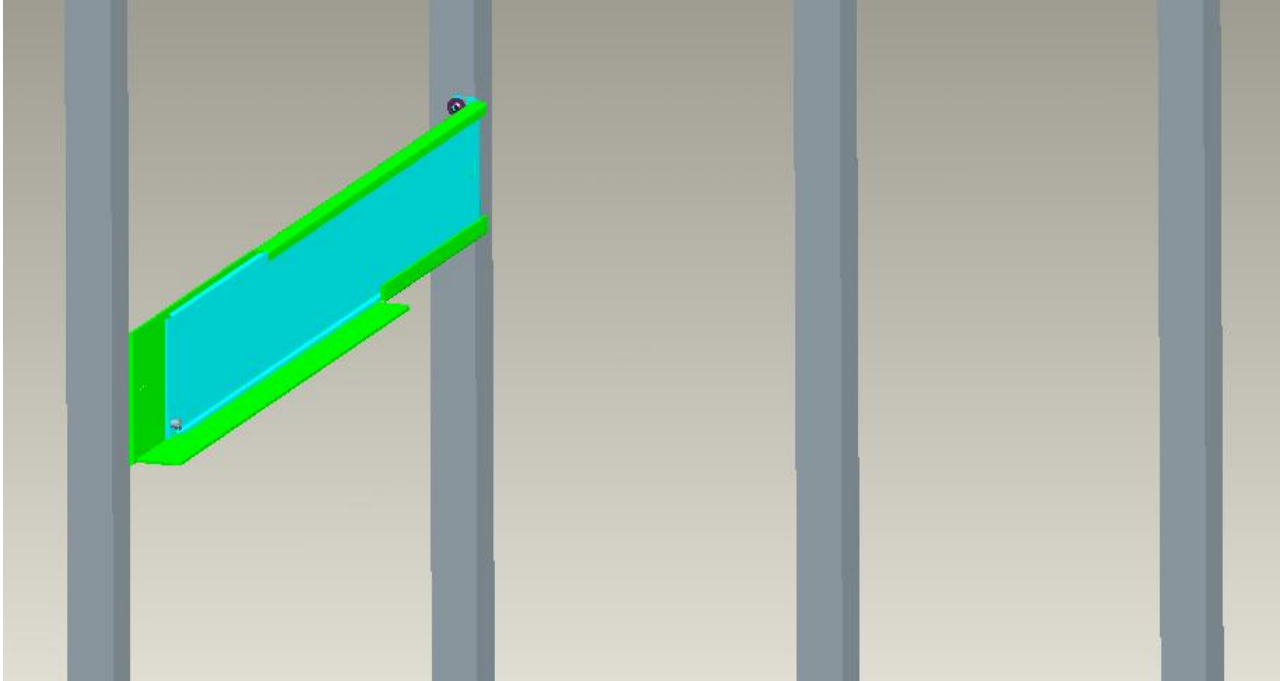


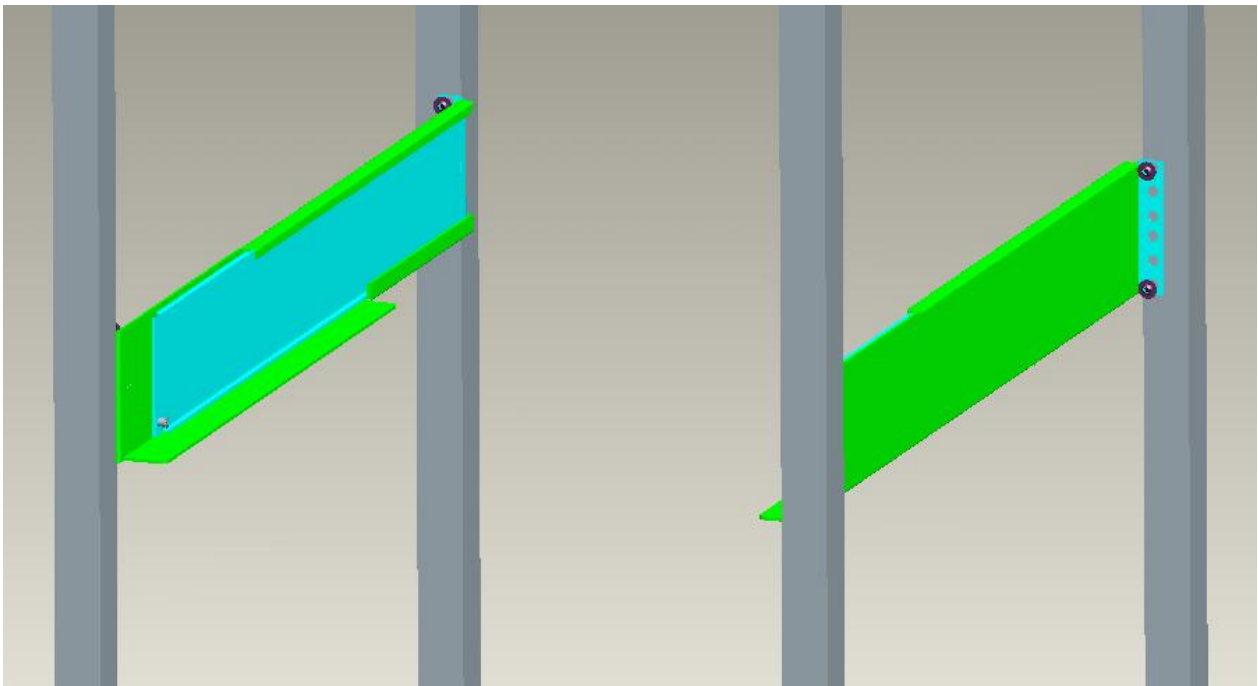
**Instruction Manual
for
Slide Rails
(Model # XPRT-RR1)**

Slide Rails Installation Instructions

1. Install left slide rail.



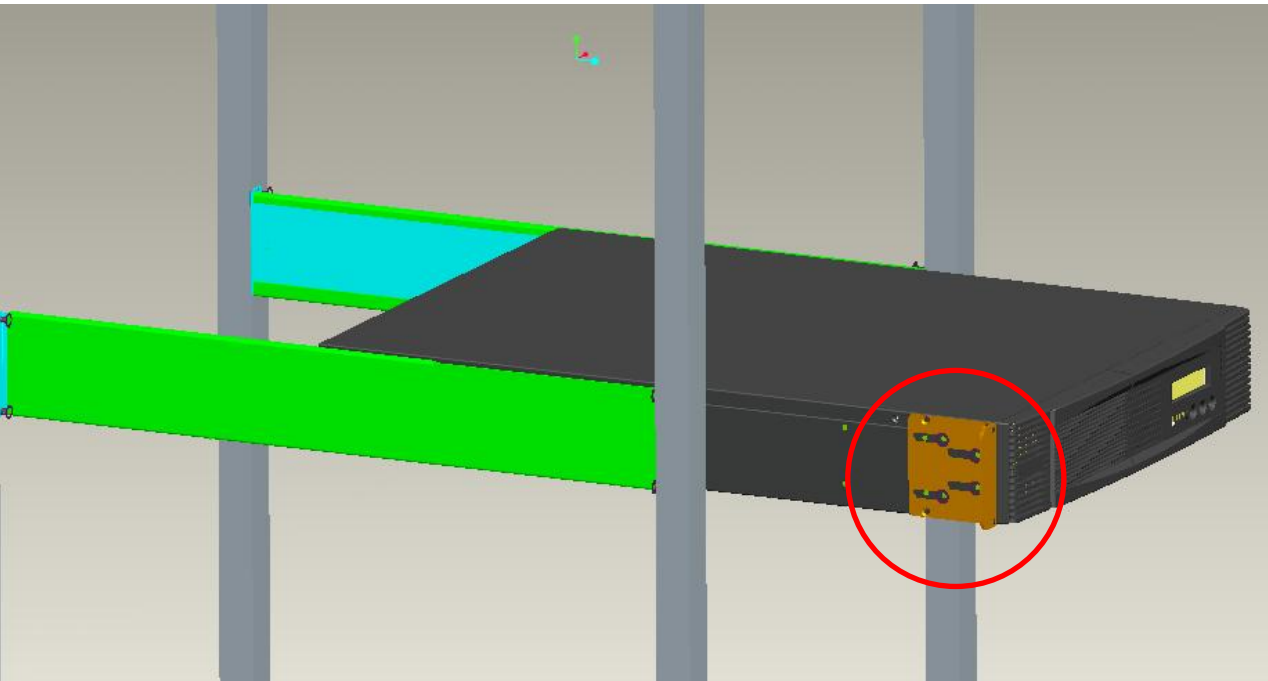
2. Install right slide rail.



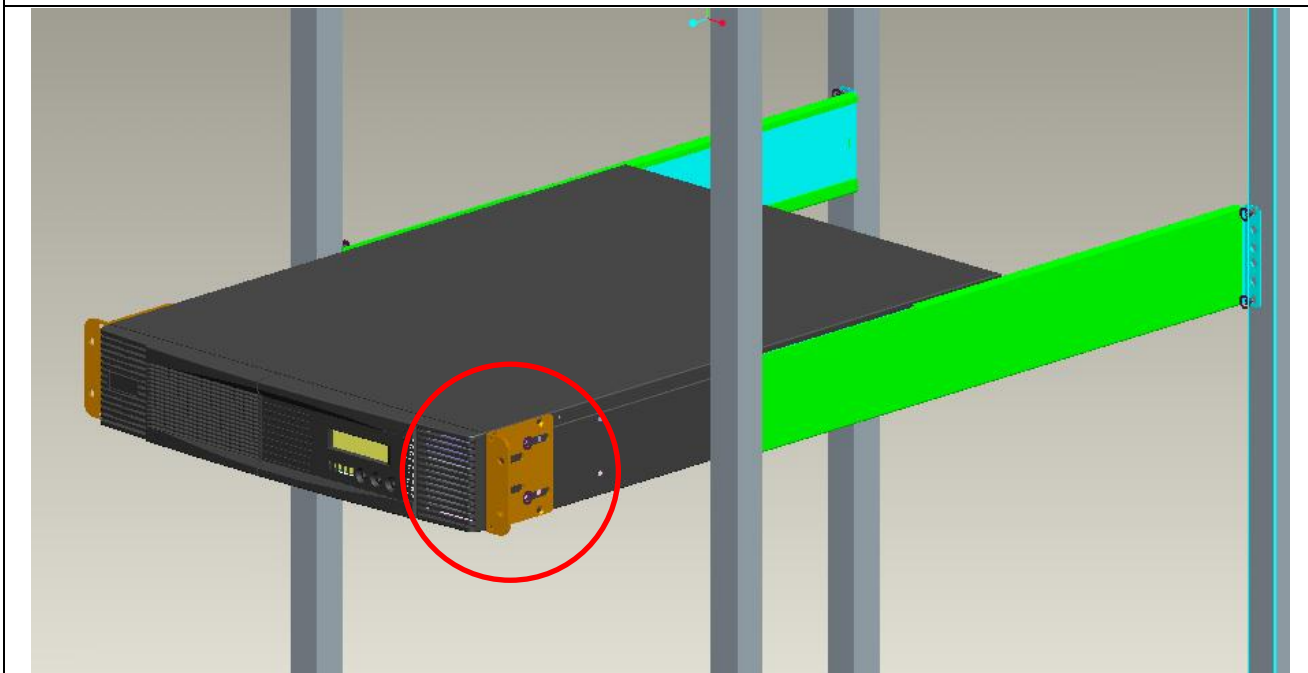
3. Put the UPS on the slide rail.



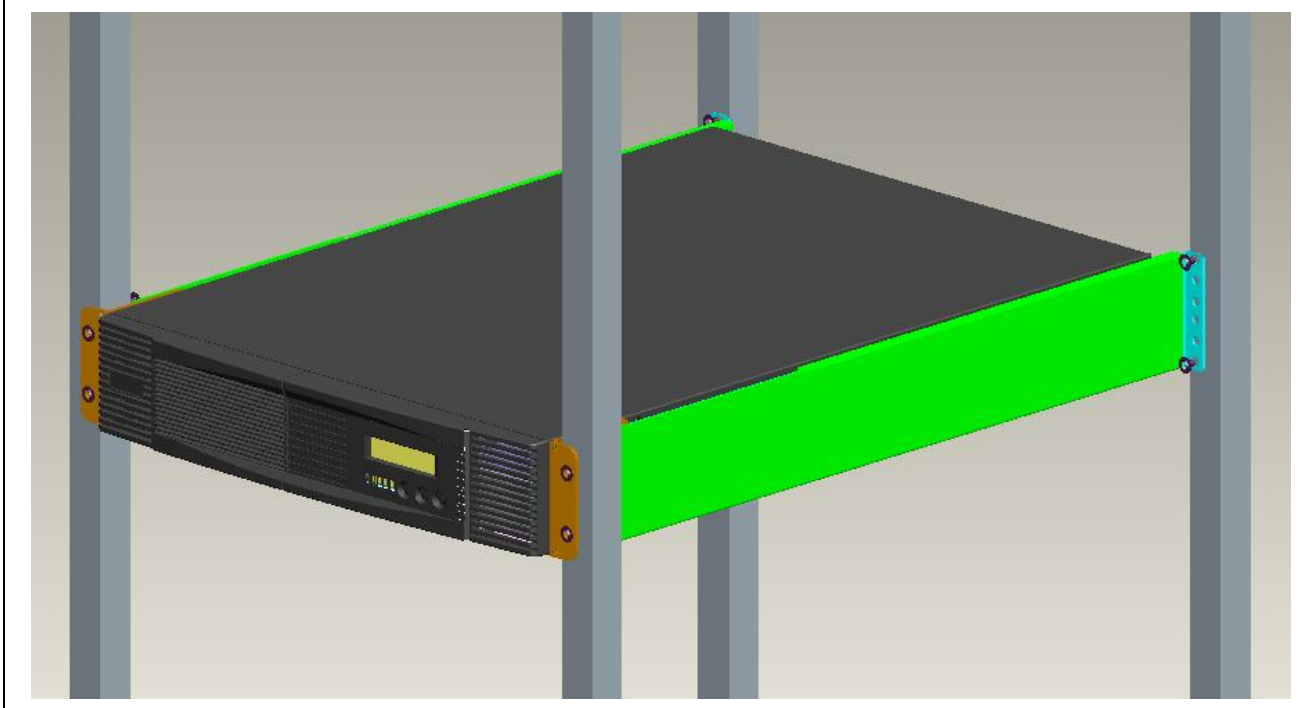
4. Lock up the left bracket.



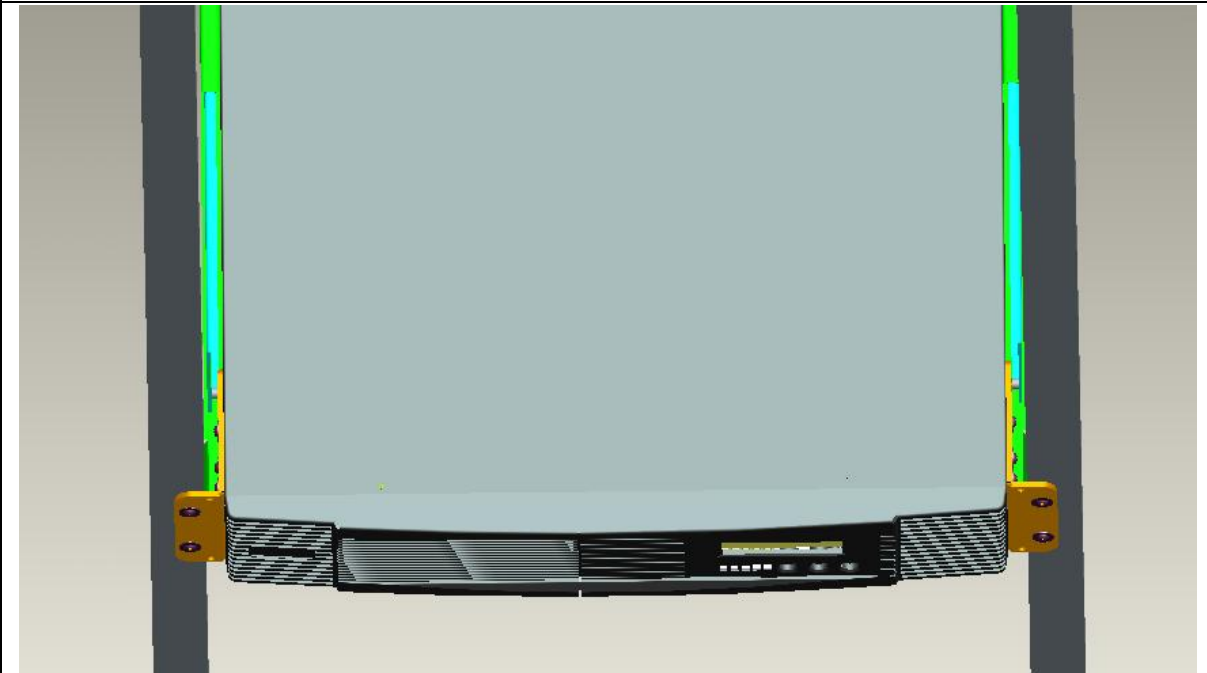
5. Lock up the right bracket.



6. Use the two brackets to push the unit to reach the pillar.



7. The installed unit on the Rack.



8. The Close-up View of the Bracket on the Rack

